



2-Way Normally Closed Low Temperature Gas Shutoff Valve (AC)

Stainless Steel Body • 1/4" to 1" NPT

2/2
SERIES
HV427480
HV427481
HV427482

Features

- Ambient temperature range; -40°F to 125°F (-40°C to 52°C)
- Zero minimum differential pressure
- Maximum operating pressure differential up to 50 psi
- Robust design provides consistent and reliable operation
- Complies with ANSI/ISA-12.27.01.2003 single seal requirements
- Meets Automatic Gas Valves Z21.21, CSA 6.5 C/I Safety Shutoff standard
- Resilient soft seating for tight shutoff
- For on-off control of fuel gas in commercial and industrial gas burners

Fluid: Fuel Gas

Construction

Valve Parts in Contact with Fluids	
Body	304 Stainless Steel
Seals and Disc	Low Temp NBR (1/4", 3/8", 1/2", 3/4") Low Temp FKM (1")
Diaphragm	Low Temp. NBR (1/2", 3/4") Low Temp. HNBR (1")
Core Tube	305 Stainless Steel
Core and Plugnut	430F Stainless Steel
Springs	Stainless Steel (1/2" to 1"), Inconel (1/4", 3/8")
Shading Coil	Silver
Rider Ring	PTFE

Electrical

Standard Coil and Class of Insulation	Watt Rating and Power Consumption			Ambient Temp. °F (°C)	Spare Coil Family
	AC				Explosionproof
	Watts	VA Holding	VA Inrush		AC
F	10.1	25	70	-40 to 125°F	238614
F	16.1	35	180	(-40 to 52°C)	272614

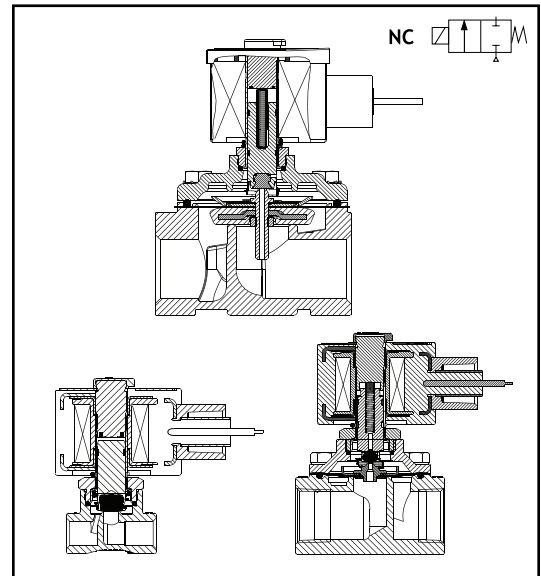
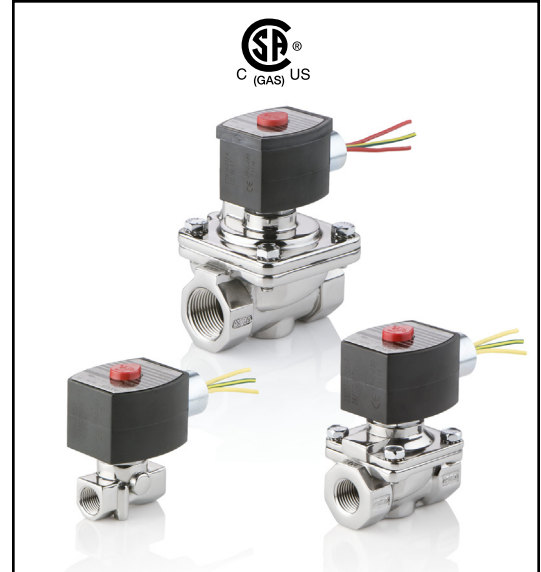
Standard Voltages: 24, 120, 240 volts AC, 60 Hz (or 110, 220 volts AC, 50 Hz)
Consult factory for special voltages.

Solenoid Enclosures

1/4" through 1" - Explosionproof & Watertight, Types 1, 3, 3S, 4, 4X, 6, 6P, 7, and 9.

Leads

Standard: 72" leads



Approvals

CSA Certified:

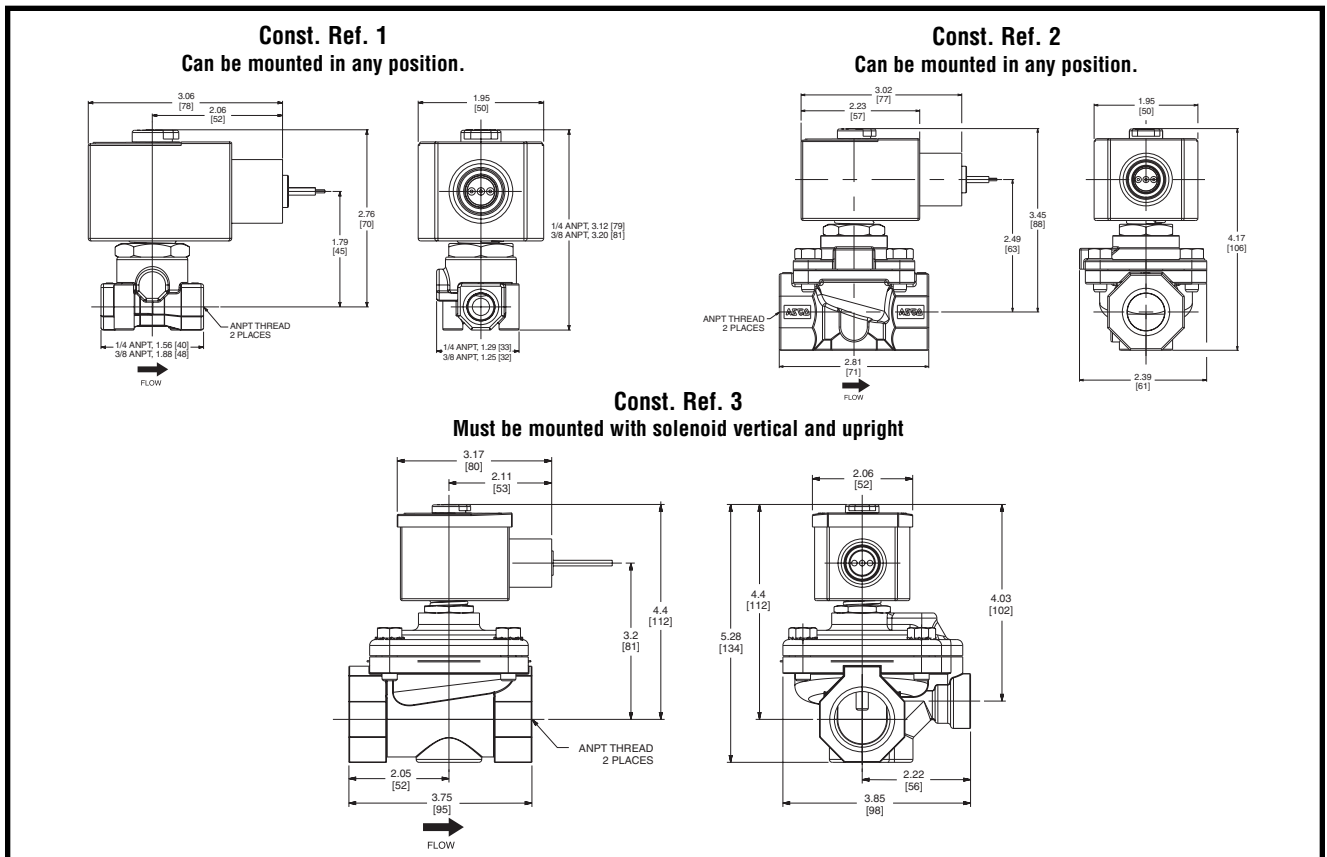
- 1) Solenoid for Hazardous Locations, File 013976.
- 2) Automatic Gas Valves Z21.21, CSA 6.5 C/I Safety Shutoff, File 112872.
- 3) Standard C22.2 No. 139 "Electrically Operated Valves", File 112872.
- 4) ANSI/ISA-12.27.01.2003 Single Seal.
Consult factory for Canadian Registration Numbers (CRN).
UL Listed Explosionproof Solenoid.

Specifications

Pipe Size (in)	Orifice Size (in)	Cv Flow	Gas Capacity		Operating Pressure Differential (psi) ④		Fluid Temp. Range °F (°C) ③	Catalog Number	Voltage	Const. Ref.	Agency			Wattage
			Btu/hr. ①	Btu/hr. ②	Min.	Max.					UL	FM	CSA	
COMBUSTION (Fuel Gas) - Normally Closed (Closed when de-energized)														
1/4	9/32	1	55,000	837,000	0	50	-40 to 125°F (-40 to 52°C)	HV427480001	24/60	1	<input type="checkbox"/>	-	<input type="checkbox"/>	10.1
								HV427480002	120/60, 110/50		<input type="checkbox"/>	-	<input type="checkbox"/>	
								HV427480003	240/60, 220/50		<input type="checkbox"/>	-	<input type="checkbox"/>	
3/8	9/32	1	55,000	837,000	0	50	-40 to 125°F (-40 to 52°C)	HV427480101	24/60	2	<input type="checkbox"/>	-	<input type="checkbox"/>	10.1
								HV427480102	120/60, 110/50		<input type="checkbox"/>	-	<input type="checkbox"/>	
								HV427480103	240/60, 220/50		<input type="checkbox"/>	-	<input type="checkbox"/>	
1/2	5/8	4.3	231,900	3,529,000	0	50	14 to 125°F (-10 to 52°C)	HV427481001	24/60	2	<input type="checkbox"/>	-	<input type="checkbox"/>	10.1
								HV427481002	120/60, 110/50		<input type="checkbox"/>	-	<input type="checkbox"/>	
								HV427481003	240/60, 220/50		<input type="checkbox"/>	-	<input type="checkbox"/>	
3/4	5/8	4.5	242,600	3,693,000	0	50	14 to 125°F (-10 to 52°C)	HV427481101	24/60	2	<input type="checkbox"/>	-	<input type="checkbox"/>	10.1
								HV427481102	120/60, 110/50		<input type="checkbox"/>	-	<input type="checkbox"/>	
								HV427481103	240/60, 220/50		<input type="checkbox"/>	-	<input type="checkbox"/>	
1	1	13	701,000	8,483,000	0	35	14 to 125°F (-10 to 52°C)	HV427482001	24/60	3	<input type="checkbox"/>	-	<input type="checkbox"/>	16.1
								HV427482002	120/60		<input type="checkbox"/>	-	<input type="checkbox"/>	
								HV427482003	110/50		<input type="checkbox"/>	-	<input type="checkbox"/>	
								HV427482004	240/60		<input type="checkbox"/>	-	<input type="checkbox"/>	
								HV427482005	220/50		<input type="checkbox"/>	-	<input type="checkbox"/>	

○ = Safety Shutoff Valve. □ UL Listed Hazardous Location, solenoid only. ① 1" W.C. Drop @ 2" W.C. Inlet Pressure, 1,000 Btu/cu.ft. or more, 0.64 Specific Gravity Gas.
 ② 10% of MOPD pressure drop @ 25% of MOPD inlet pressure, 1,000 Btu/cu.ft. or more, 0.64 Specific Gravity Gas (based on CSA 6.5).
 ③ Dewpoint - To prevent freezing of condensed water vapor in the valve, the fuel gas must have a dewpoint at least 10°C (18°F) below the minimum temperature to which any point of the system will be exposed.
 ④ Safe Working Pressure (SWP); 100 psi, is the line or system pressure to which the valve may be subjected without being damaged. To ensure proper operation, the Maximum Operating Pressure Differential (MOPD) stamped on nameplate must be adhered to.

Dimensions: inches [mm]



COMBUSTION